

S
P
E
C
I
A
L

Model 501 Remote Actuator

Works With All CALIFORNIA Valves



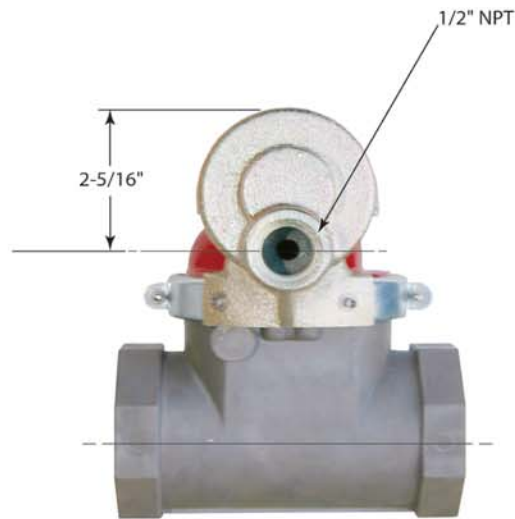
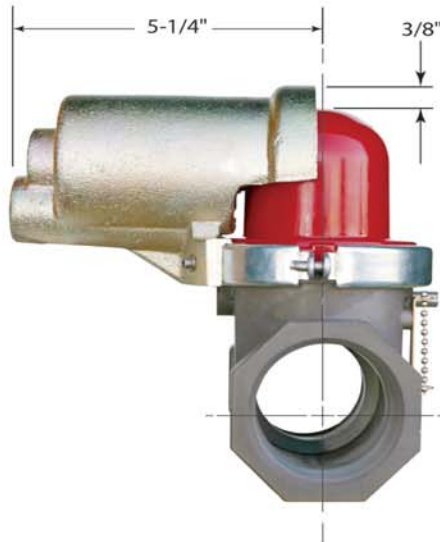
Remote Actuator shown installed on 1-1/2" valve, installation is typical.

The Model 501 Remote Actuator will add an additional layer of protection to panic switches, fire and sprinkler alarm systems. A CALIFORNIA valve with the 501 Remote Actuator will trip during a violent earthquake or when an electrical signal is present.

Available for all CALIFORNIA valves, 3/4" to 6" vertical or horizontal, the actuator is factory installed at the time of manufacture. It is not available as a retrofit to existing valves.

A typical customer's system would include a 24 volt transformer, panic switch and our RA 501, providing both panic/emergency shut off and seismic protection.

Specifications



Switch: Normally Open

Wire: Low Voltage

Voltage: 24

Draw: 15 Watts

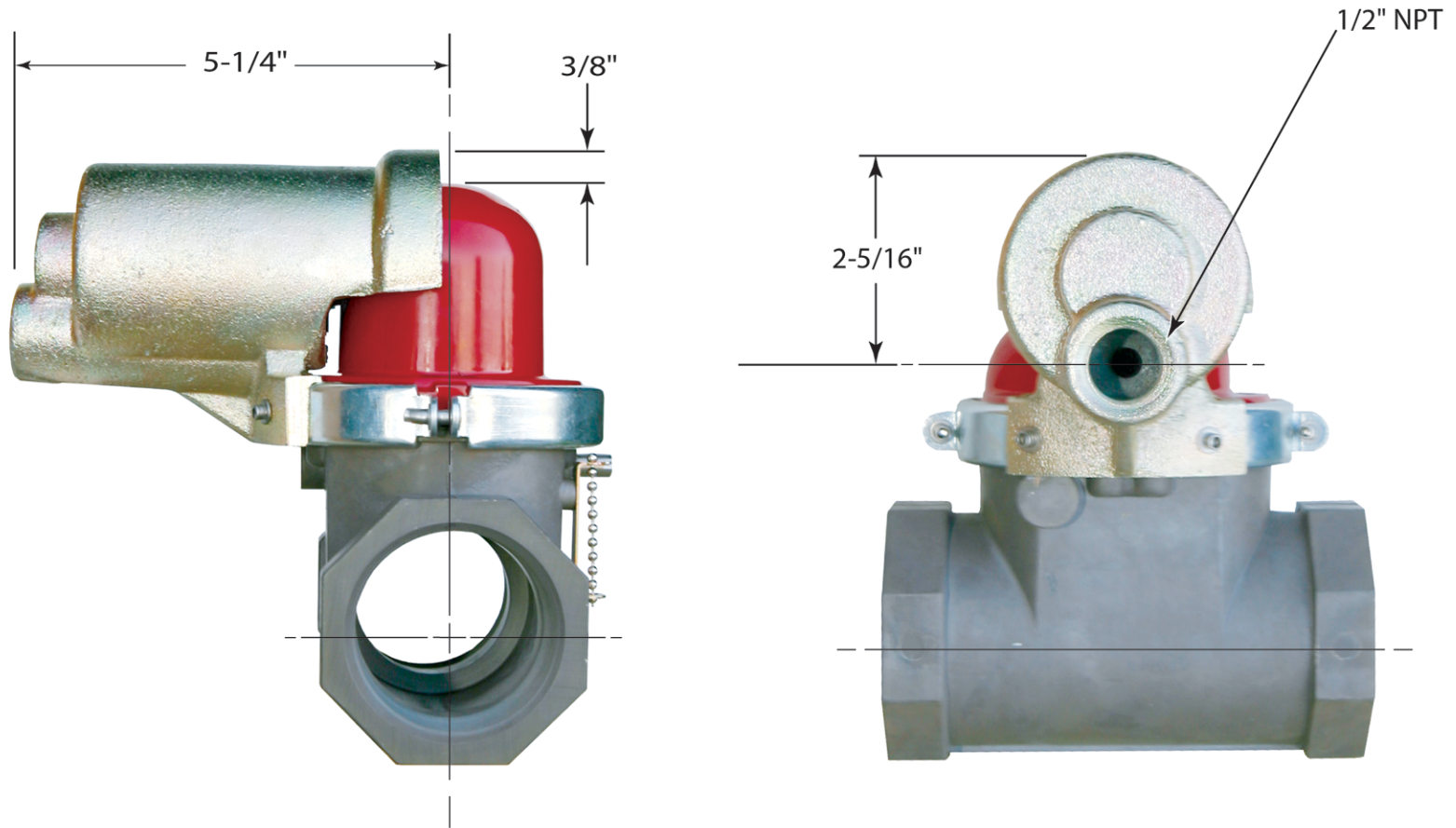
800-4-GAS-OFF

Pacific Seismic Products

233 East Avenue H-8 • Lancaster, CA 93535 • USA • Tel: (661) 942-4499 • Fax: (661) 942-0999

Specifications: Model 501 Remote Actuator

Available For All CALIFORNIA Valves



California Seismic Valves are UL listed in the USA and Canada, Certified by the California State Architect's Office, Approved by the City of Los Angeles, and are warranted free of manufacturer's defects for 30 years. All valves meet California Standards for Earthquake Actuated Automatic Gas Shut off Systems, Standard No. 12-23-1, ANSI Z21.70, 1981 and ASCE 25-97 Standards.

Pacific Seismic Products
233 East Avenue H-8 • Lancaster, CA 93535 • USA

Tel (661) 942-4499
Fax (661) 942-0999
TF (800) 4-GAS-OFF